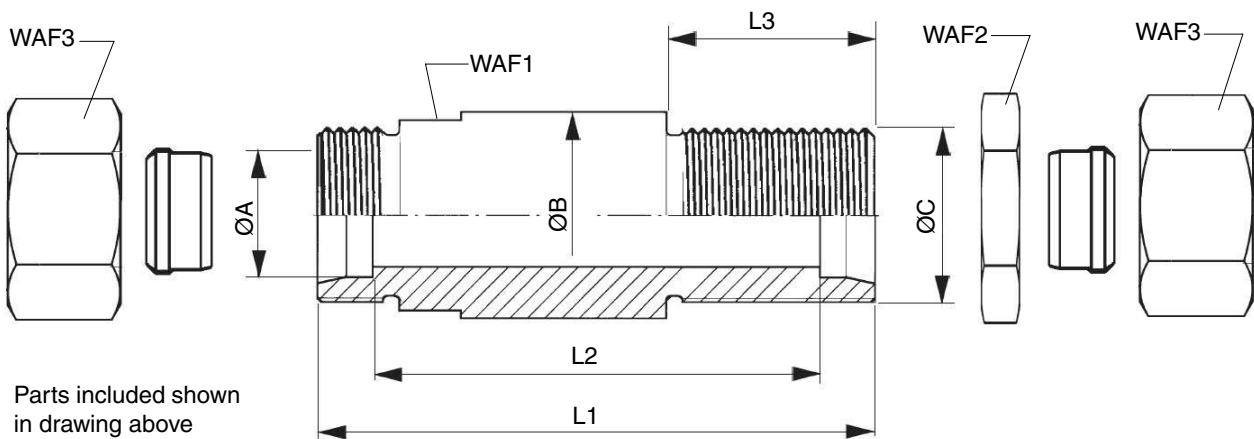


Straight bulkhead penetrations

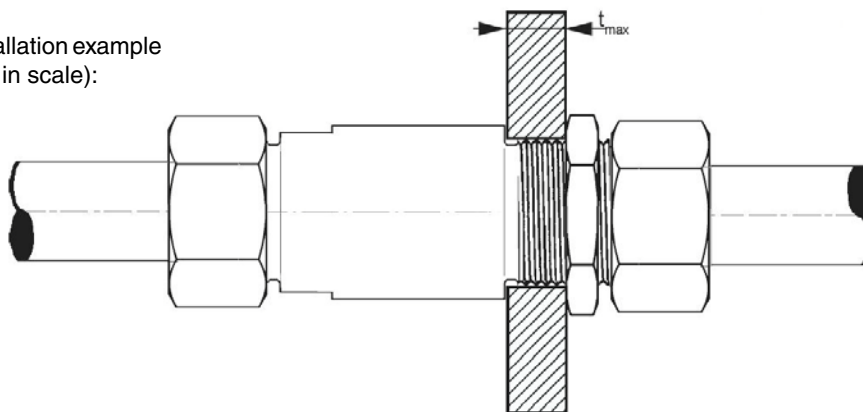
Stock codes B023xx (x: see table below)

TECHNICAL DATA SHEET TB3020 REVISION A DATE OF ISSUE 27 Aug 2012

| Stock code | Type | Mass | ØA | ØB | ØC | L1 | L2 | L3 | WAF1 | WAF2 | WAF3 |
|------------|-------------|---------|----|----|----|-----|-----|----|------|------|------|
| B02310 | SV12-S AISI | 0,43 kg | 12 | 30 | 20 | 100 | 85 | 36 | 24 | 27 | 24 |
| B02315 | SV16-S AISI | 0,53 kg | 16 | 35 | 24 | 84 | 67 | 33 | 27 | 32 | 30 |
| B02325 | SV30-S AISI | 1,65 kg | 30 | 50 | 42 | 136 | 109 | 51 | 46 | 50 | 50 |
| B02330 | SV38-S AISI | 3,83 kg | 38 | 63 | 52 | 200 | 168 | 53 | 55 | 65 | 60 |



Installation example
(not in scale):



t_{max} max. wall thickness:

| | |
|--------|-------|
| SV12-S | 18 mm |
| SV16-S | 12 mm |
| SV30-S | 22 mm |
| SV38-S | 21 mm |

| | | |
|---------------------|---------------|-----------------------|
| General | Body material | Stainless steel |
| Installation | Connections | Cutting ring DIN 2353 |